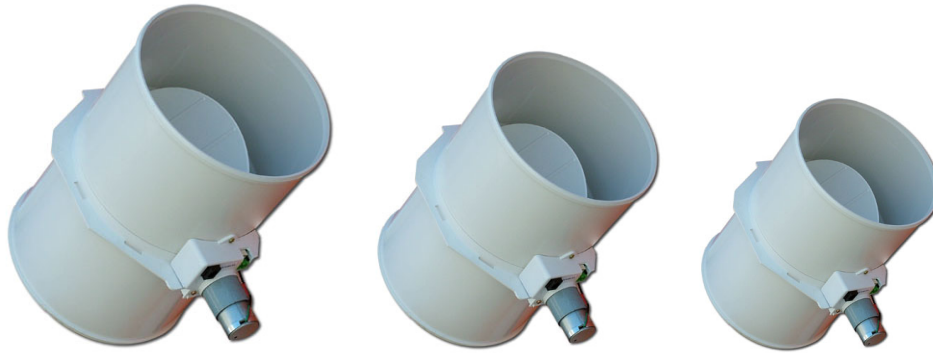




Stand Alone Dampers 10", 8", 6"



Stand alone damper - Air flow capacity regulator and control.

General

The Stand Alone Dampers offer the best Stand Alone proportional damper control system. Our dampers are designed to get optimum results out of today's air conditioning ducting systems.

Using our electronic dampers to control air flow in your home or office, allows the user to only Cool or Heat the areas that really need it, without ever being connected to an HVAC system.

The dampers can be operated by one of two methods: room thermostats or hand-held remote control with IR receiver.

Features

- Main supply - 230Vac
- Stand alone proportional damper
- All applications are with the same damper, with different connections
- Two different control option:
 1. Infra red receiver and hand-held remote control
 2. Room thermostat (wall-mount, flush-mount)
- Proportional Open / Close



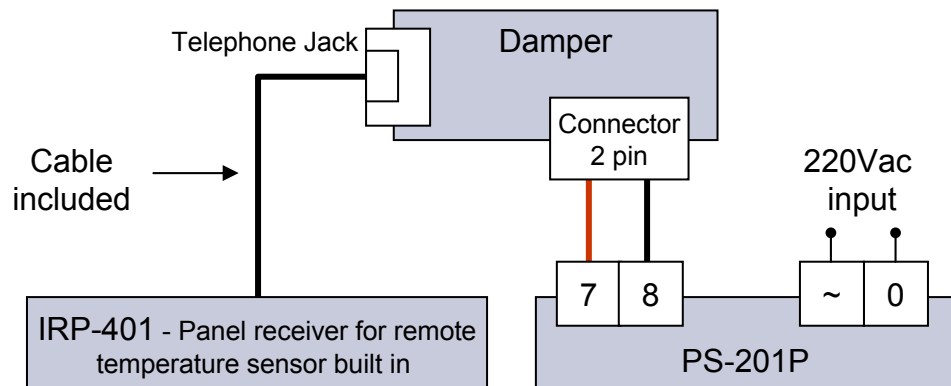
Configurations

Configuration 1

- Stand alone damper Proportional DA6/401, DA8/401, DA10/401
- Power Supply 12Vdc
- Plastic Panel Receiver IRP401
- Hand-Held Remote Control RT40



Electrical Diagram - Configuration 1



Configuration 2

- Stand alone damper DA6/401, DA8/401, DA10/401
- ETN-40P1
- Hand-Held Remote Control RT40



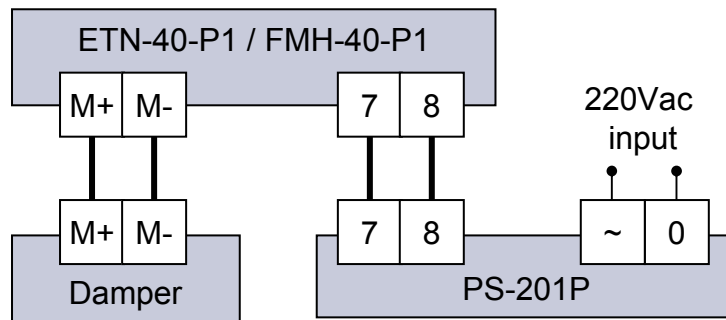


Configuration 3

- Stand alone damper Proportional
DA6/401, DA8/401, DA10/401
- FMH-40P1
- Hand-Held Remote Control
RT40



Electrical Diagrams for Configurations 2 and 3



Dimensions

Length	300 mm / 11.81"
Diameter	6", 8", 10"

Specifications

Weight	0.7, 0.9, 1.2 Kg / 1.54, 1.98, 2.65 Lbs
Color	White
Plastic	PC/ABS
Flammability	UL94V-0

Accessories

Part Number	Description
PS201	Power supply 220Vac – 12Vdc for one damper connection
PS201P01	Power supply 220Vac – 12Vdc for two dampers connection
IRP401	Infra red panel receiver
RT40	Hand held remote control
ETN-40P1	Surface mounted room thermostat for damper control.
FMH-40P1	Flush mounted room thermostat for damper control.
Cable 7 meter / 280"	Cable for IRP401 connection
Cable 3 meter / 120"	Cable for PS201P connection